



## Constant Flow Regulator EFR14

*The Model EFR14 constant flow regulator is designed to provide constant flow of medium volume liquid flows in applications where supply pressure or back-pressure varies. The regulator is a membrane type differential pressure controller with a built-in needle valve for flow rate adjustment.*



### Features

- Reliable operation
- Stainless steel construction
- Equipped with needle valve
- Two piece construction, easy maintenance

### Typical Applications

- Sealing water control
- Flush liquid control
- Batching of liquids
- Water purging

### Special Constructions

- Alternative connections
- High  $\Delta p$  model for large differential pressure

### Accessories and Options

- Flow meter to indicate flow rate
- Thread adaptors

### Technical Data

Maximum differential pressure	175 psi	* 290 psi
Maximum static pressure	360 psi	
Maximum flow	5.28 gpm	
Nominal flow	3.69 gpm	
Pressure drop at nominal flow	43 psi	
Maximum temperature	194°F	(momentary 248°F)
Body	AISI 316	
Valve	AISI 316	
Spring	AISI 316	
Membrane	EPDM	
Seals	Nitrile	
Connections	½" NPT	
Installations position	Any required	
Weight	1.8 kg (3.97 lbs)	

\*Special construction on request

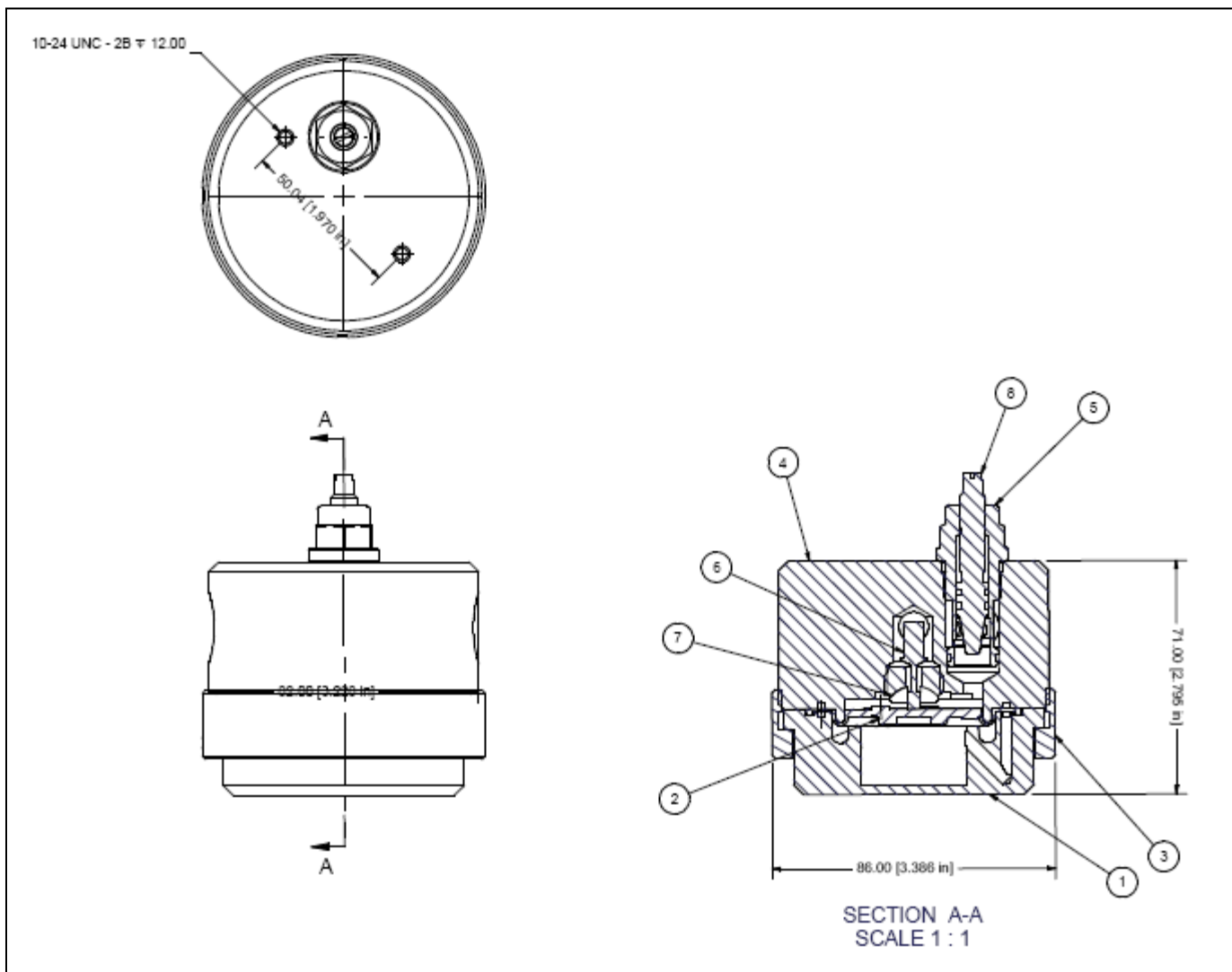


# Constant Flow Regulator

## EFR14

### Order Guide

EFR14 /	
6	6mm valve
9	9mm valve



Manufacturer

Distributor

**esko** PACIFIC SALES LTD.

Canada: 3480 Gardner Court, Burnaby, BC V5G 3K4

USA: PO Box 5547, Bellingham WA 98227-5547

Toll free: 1-800-665-3756 (ESKO)

Fax: 604-294-3727

Email: [info@eskopacific.com](mailto:info@eskopacific.com)

Internet: [www.eskopacific.com](http://www.eskopacific.com)