



# Constant Flow Regulator EFR

**APPLICATIONS:** Made for maintaining low level liquid flows in applications where supply or backpressure varies, and for gas flows in application where backpressure varies.

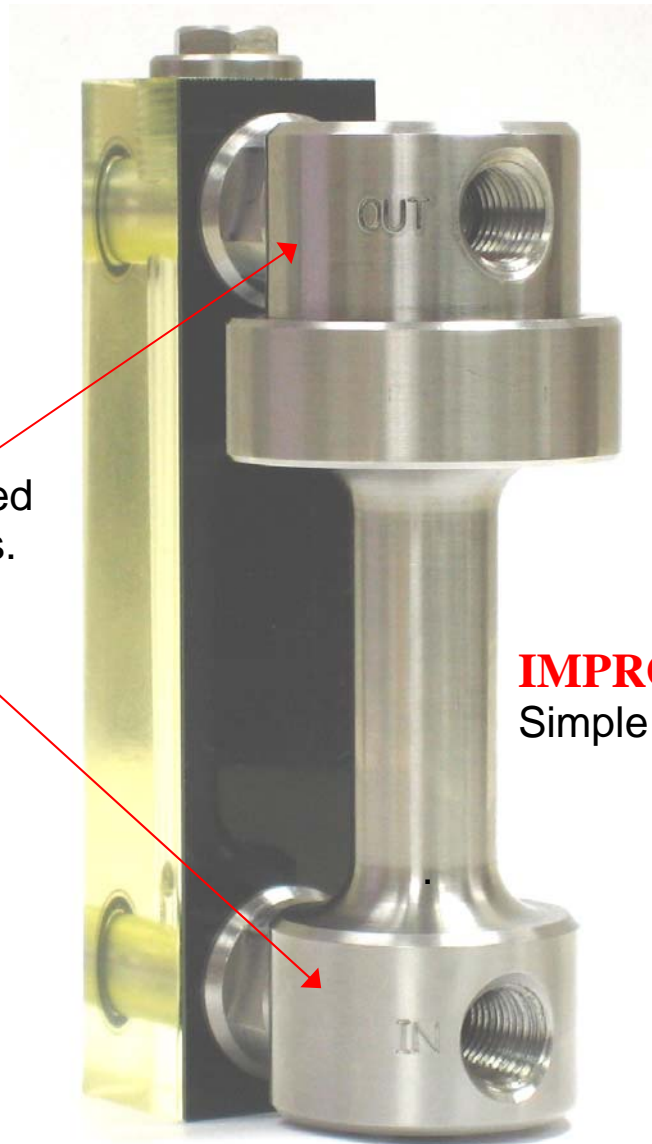
*The EFR constant flow regulator meter is designed and built by Esko incorporating several new and improved features.*

**IMPROVED:**  
Solid heavy-duty construction, with clearly labeled connection points.

**IMPROVED:**  
Attaches easily to Model ELF, L and ESF/EDF meters.

**IMPROVED:**  
Simple modular construction.

**IMPROVED:**  
The EFR is built in North America using standard North American dimensions and parts sizes



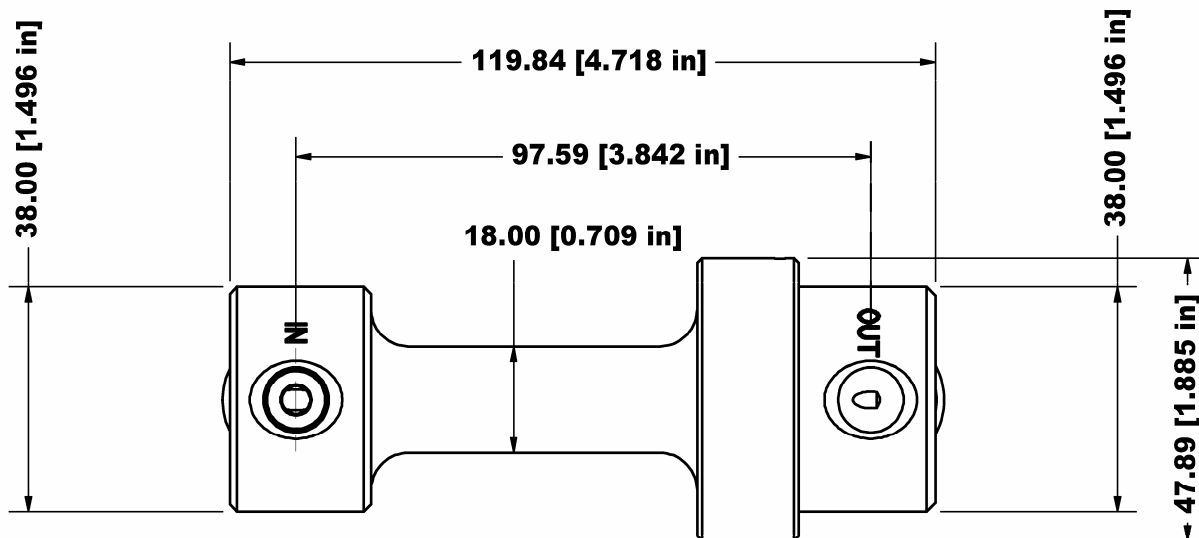
## Technical Specifications

	EFR
Max Flow	50 USGPH (3 LPM) H <sub>2</sub> O
Nominal Flow	36 USGPH (2.3 LPM) H <sub>2</sub> O
Max. Differential Pressure	290 psi (20 Bar)
Max. Static Pressure	290 psi (20 Bar)
Press Drop at Nominal Flow	29 psi (2 Bar)
Max. Temperature	167°F (75°C)
Body	AISI 316
Spring	AISI 316
Membrane	EPDM
Mesh	PTFE
Seals	Nitrile (Viton or EPDM optional)
Connections	NPT 1/4" (BSP 1/4")
Installation Position	Vertical
Weight	1.66 lbs (0.75 kg)

## Order Guide

EFR -	
3EK	For L-meters
3LF	For ELF-meters
3SS	For ESF/EDF-meters*

\* some restrictions apply



Manufacturer

Distributor

**esko** PACIFIC SALES LTD.

Canada: 3480 Gardner Court, Burnaby, BC V5G 3K4

USA: PO Box 5547, Bellingham WA 98227-5547

Toll free: 1-800-665-3756 (ESKO)

Fax: 604-294-3727

Email: info@eskopacific.com

Internet: www.eskopacific.com