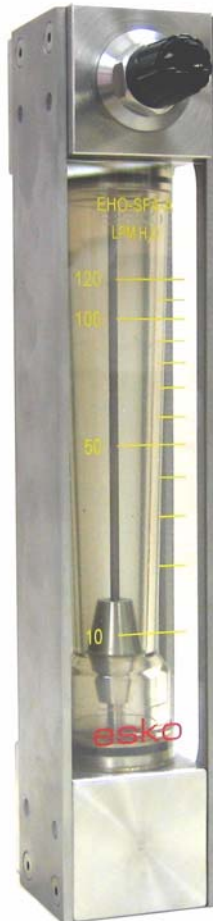


The EH series flow meter is intended for medium range flows of liquids and gases. A large, clear scale ensures quick and accurate measurement reading.



Applications

- Sealing and cooling water measurement
- Lubrication oil measurement
- Mixing of gases

Features

- Built-in control valve
- Sturdy construction
- Large selection of flow ranges and materials
- Easy to install, clean and maintain
- Impact resistant flow tube
- Alarm ready

Options

- Inductive flow alarm
- Pressure gauge
- Back lighting
- High temperature PES/PSU flowtube
- Viton or EPDM seals
- BSP thread
- Quick change tube (Model EHR)
- Calibration for non-standard gases and liquids
- Special scale markings

Technical Specifications

	EH-A	EH-S	EH-D
Flowtube	Grilamid	Grilamid	Grilamid
Seals	Nitrile / Viton	Nitrile / Viton	Nitrile / Viton
Float	SS 304 / SS 316	SS 304 / SS 316	SS 304 / SS 316
Valve housing / plugs	Aluminum	SS 316	SS 316
Valve spindle	SS 316	SS 316	SS 316
End blocks	Aluminum	SS 316	Delrin (POM)
Side plate	SS 316	SS 316	SS 316
Max. pressure	440 psi	440 psi	290 psi
Max. temperature	Grilamid TR55	176°F (80°C)	176°F (80°C)
	PES/PSU (optional)	248°F (120°C)	176°F (80°C)
Connection size / thread	1" NPT	1" NPT	1" NPT
Accuracy	±5% F.S. (H ₂ O @ 20°C)	±5% F.S. (H ₂ O @ 20°C)	±5% F.S. (H ₂ O @ 20°C)
Weight	4.2 lbs (1.9 kg)	6.8 lbs (3.1 kg)	3.1 lbs (1.4 kg)

Order Guide

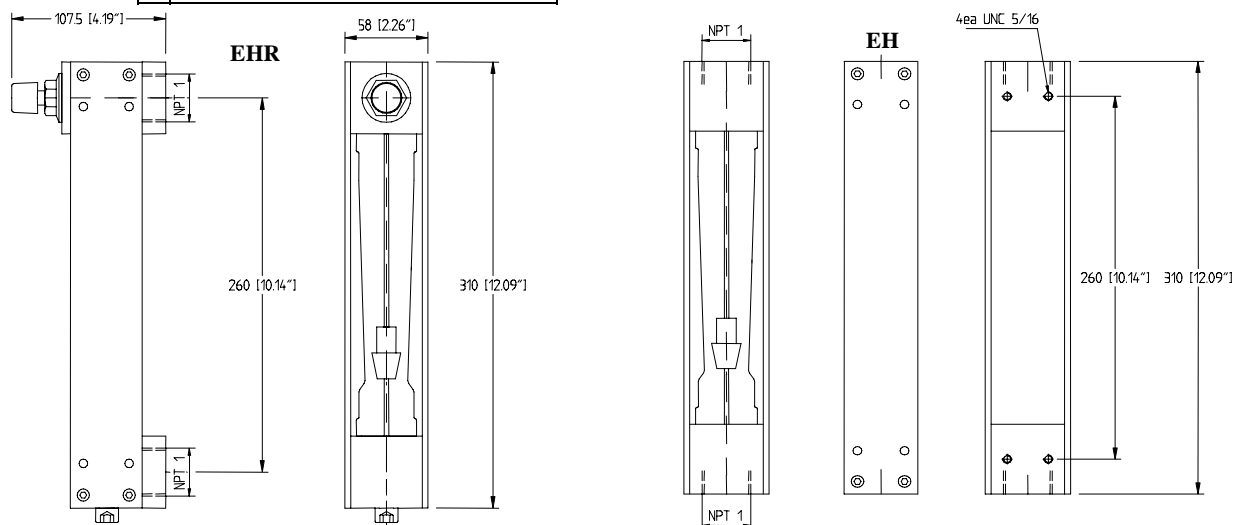
EH	-	-	-	-	-	-	-	-	-	-	-
VALVE LOCATION											
I											Valve on inlet
O											Valve in outlet
R											Valve in outlet; quick change tube
											No valve
END BLOCK MATERIAL											
A											Aluminum
D											Delrin (POM)
K											Kynar
S											SS 316
FLOW RANGE											
		EHI				EHO / EHR				EH	
		AIR		WATER		AIR		WATER		AIR	
		SCFM	NLPM	USGPM	LPM	SCFM	NLPM	USGPM	LPM	SCFM	NLPM
A		47.5	1200	11	40	45	1200	11	40	45	1200
B		65	1700	15	55	60	1600	15	55	60	1500
C		75	2000	17	65	70	1800	17	65	65	1800
D		95	2400	22	85	100	2600	22	85	85	2200
E		-	-	-	-	-	-	-	-	110	2800
F		-	-	30	120	-	-	27.5	110	120	3000
SCALE											
1											Water USGPM
2											Air SCFM (14.7 psia @ 70°F)
3											Dual Scale USGPM / SCFM
4											Water LPM
5											Air NLPM (101.3 kPa @ 20°C)
6											Dual Scale LPM / NLPM
R											Relative scale (1-10)
OPTIONS											
A											Alarm readiness
P											PES/PSU flowtube
V											Viton o-ring seals
E											EPDM o-ring seals
R											BSP threads

How to specify the model number (For example EHR-SB1-A)

1. Select flowmeter type, and valve location (EHR for meter with quick-change tube and valve in outlet).
2. Select end block material, flowrange, and scale (SB1 for SS 316 end blocks, with a range of 15 USGPM).
3. Select options (A for alarm readiness).

Special construction

Use code EH-EXXXX as these meters will be given a unique manufacturing number, such as EHR-E7345.



Manufacturer

Distributor

esko PACIFIC SALES LTD.

Canada: 3480 Gardner Court, Burnaby, BC V5G 3K4

USA: PO Box 5547, Bellingham WA 98227-5547

Toll free: 1-800-665-3756 (ESKO)

Fax: 604-294-3727

Email: info@eskopacific.com

Internet: www.eskopacific.com